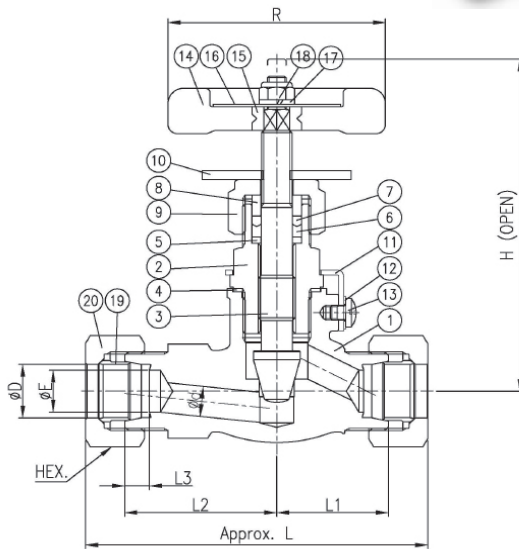


GLOBE VALVE - VG Series

VG

Globe Valve



No.	Part Name	Material Spec.	
1	Body	S20C	C3771
2	Bonnet	S20C	C3604
3	Stem	SUS 304	SUS 304
4	Bonnet Packing	C1100	C1100
5	Bonnet Support	C3604	C3604
6	Lower Packing	PTFE	PTFE
7	Upper Packing	PTFE	PTFE
8	Gland	C3604	C3604
9	Cap Nut	S20C	C3604
10	Locking Plate	SS 400	SS 400
11	Bonnet Holder	S20C	S20C
12	Tooth Washer	SK5M	SK5M
13	Plus Head Screw	SUS 304	SUS 304
14	Wheel Handle	Nylon + Glass	
15	Handle Insert	C3604	C3604
16	Name Plate	C2801P	C3801P
17	Spring Washer	SUS 304	SUS 304
18	Nylon Nut	SUS 304	SUS 304
19	Sleeve	STEEL	C3604
20	Nut	S45C	C3604

■ REFERENCE DIMENSIONS

Unit :mm

Nominal Size	cd	øD	cE	L (Approx)	L1	L2	L3	H (Open)	T (Thread)	R	HEX.
VG-B-15-C	10.0	15.0	12.0	110.0	36.0	49.0	7.5	110.0	-	70.0	27.0
VG-MB-M24P215-C	9.0	15.0	12.0	99.6	36.0	51.0	14.0	110.0	M24*2.0	70.0	27.0
VG-B-16-C	10.0	16.0	13.0	100.0	36.0	49.0	7.5	110.0	-	70.0	30.0
VG-MB-06G16-C	10.0	16.0	13.0	100.0	36.0	51.0	16.0	110.0	3/4"PF	70.0	30.0
VG-MB-06R16-C	10.0	16.0	13.0	100.0	36.0	51.0	20.0	110.0	3/4"PT	70.0	30.0
VG-B-20-C	12.0	20.0	16.0	110.0	36.0	49.0	8.0	110.0	-	70.0	36.0
VG-MB-02R20-C	6.0	20.0	16.0	94.0	36.0	45.0	14.0	110.0	1/4"PT	70.0	36.0
VG-MB-03R20-C	10.5	20.0	16.0	97.0	36.0	47.0	16.0	110.0	3/8"PT	70.0	36.0
VG-MB-04R20-C	10.5	20.0	16.0	97.0	36.0	48.0	17.0	110.0	1/2"PT	70.0	36.0
VG-MB-06R20-C	12.0	20.0	16.0	100.0	36.0	51.0	20.0	110.0	3/4"PT	70.0	36.0
VG-B-MB-08R20-C	12.0	20.0	16.0	96.0	42.0	45.0	22.0	100.0	1" PT	70.0	36.0
VG-B-25-C	12.0	25.0	20.0	103.5	38.0	38.0	10.0	113.0	-	70.0	41.0
VG-B-8A-C	9.0	13.8	11.0	109.0	36.0	49.0	7.5	110.0	-	70.0	24.0
VG-B-10A-C	10.0	17.3	14.0	110.0	36.0	49.0	8.0	110.0	-	70.0	32.0
VG-MB-03R10A-C	8.0	17.3	14.0	97.0	36.0	48.0	16.0	110.0	3/8"PT	70.0	32.0

GLOBE VALVE - VG Series

Nominal Size	cd	øD	øE	L (Approx)	L1	L2	L3	H (Open)	T (Thread)	R	HEX.
VG-MB-04R10A-C	10.0	17.3	14.0	97.0	36.0	48.0	17.0	110.0	1/2"PT	70.0	32.0
VG-MB-06G10A-C	10.0	17.3	14.0	100.0	36.0	51.0	16.0	110.0	3/4"PF	70.0	32.0
VG-B-15A-C	12.0	21.7	18.0	110.0	37.0	46.0	9.0	110.0	-	70.0	36.0
VG-MB-03R15A-C	8.0	21.7	18.0	97.5	37.0	47.0	16.0	110.0	3/8"PT	70.0	36.0
VG-MB-04R15A-C	10.5	21.7	18.0	97.5	37.0	48.0	17.0	110.0	1/2"PT	70.0	36.0
VG-MB-06R15A-C	12.0	21.7	18.0	97.5	37.0	51.0	20.0	110.0	3/4"PT	70.0	36.0
VG-MB-08R15A-C	12.0	21.7	18.0	97.5	42.0	45.0	22.0	113.0	1" PT	70.0	36.0

■ Specification

- Nominal Pressure : 40 kgf/Cm2
- Shell Test : 80 kgf/Cm2
- Maximum Working Temperature : 160°C
- Application system : Fuel Oil, Lub Oil, Fresh Water, Steam

■ Ordering Information

Example :

VG - MB - 03R10 - C

① ② ③ ④

- ① : Valve Series
- ② : End Connections.(In/Outlet), B: Bite Type / BM: Bite * Male Thread
/ FB: Female Thread*Bite Type / F: Female
- ③ : Size PT3/8"*10mm Tube O.D

* ISO/BSP

Thread	1/8"	1/4"	3/8"	1/2"	3/4"	1"
Designator	01R (G)	02R (G)	03R (G)	04R (G)	06R (G)	08R (G)

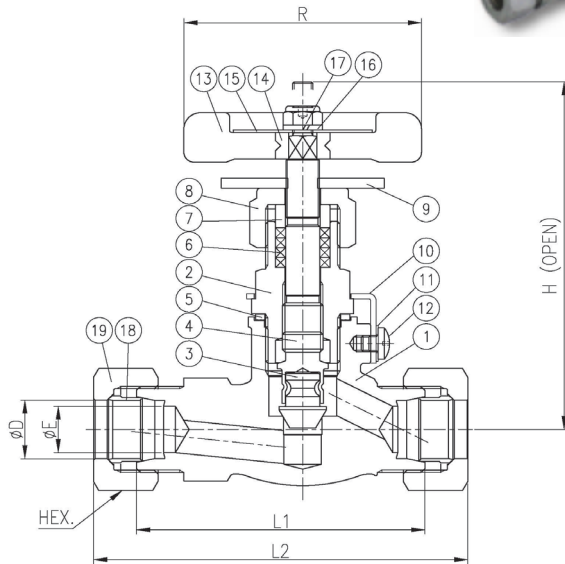
*Tube

Inch Pipe (JIS)	1/8"	1/4"	3/8"	1/2"	3/4"	1"
Designator	6A	8A	10A	15A	20A	25A
Metric Tube	6	8	10	12	15	20
Designator	06	08	10	12	15	20

④ : Material

C : Carbon Steel B : Brass S4 : Stainless Steel 304

VG-XC Series Globe Valve (Xylan Coated)



No.	Part Name	Material Spec.	
1	Body	S20C	Xylan Coating
2	Bonnet	S20C	Xylan Coating
3	Stem	SUS 304	
4	Stem-Cone	SUS 316	
5	Bonnet Packing	SPCC	
6	Packing	Graphite	
7	Gland	S45C	
8	Cap Nut	S20C	Xylan Coating
9	Locking Plate	SS 400	Xylan Coating
10	Bonnet Holder	S20C	Xylan Coating
11	Tooth Washer	SK5M	
12	Plus Head Screw	SUS 304	
13	Wheel Handle	Nylon + Glass	
14	Handle Insert	C3604	
15	Name Plate	C2801P	
16	Spring Washer	SUS 304	
17	Nylon Nut	SUS 304	
18	Sleeve	STEEL	
19	Nut	S45C	

REFERENCE DIMENSIONS

Unit : mm

Nominal Size	ød	øD	øE	L (Approx)	L1	L2	L3	H (Open)	R	HEX.
VG-B-8A-XC	9.0	13.8	11.0	109.0	36.0	49.0	7.5	110.0	70.0	24.0
VG-B-10A-XC	10.0	17.3	14.0	110.0	36.0	49.0	8.0	110.0	70.0	32.0

Specification

- Nominal Pressure : 40 kgf/Cm2
Test Pressure Body : 80 kgf/Cm2
- General information of Xylan Coating.:
Dry Film Thickness : 15~25µ
Other: Use Temperature: 180°C Continuous; 232°C Intermittent.
- Applicable system : Heavy Fuel Oil

Ordering Information

Example :

VG - MB - 03R10 - C

① ② ③ ④

- ① : Valve Series
- ② : End Connections.(In/Outlet), B: Bite Type / BM: Bite * Male Thread
/ FB: Female Thread*Bite Type / F: Female
- ③ : Size 8A Pipe O.D
- ④ : Material
XC : Xylan Coating Carbon Steel