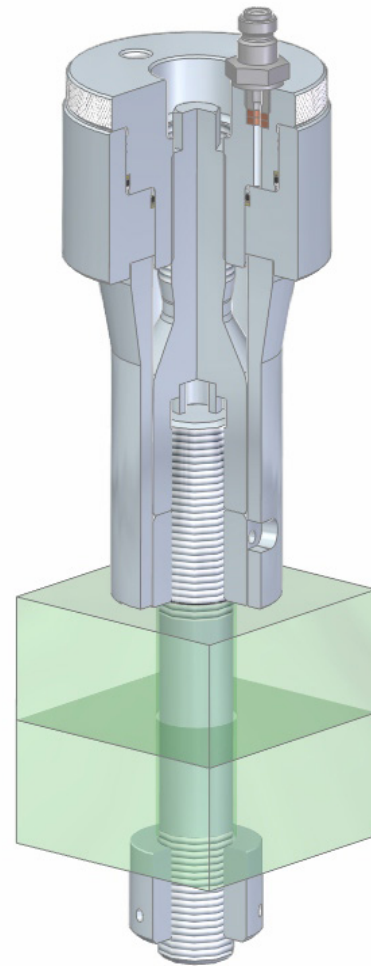
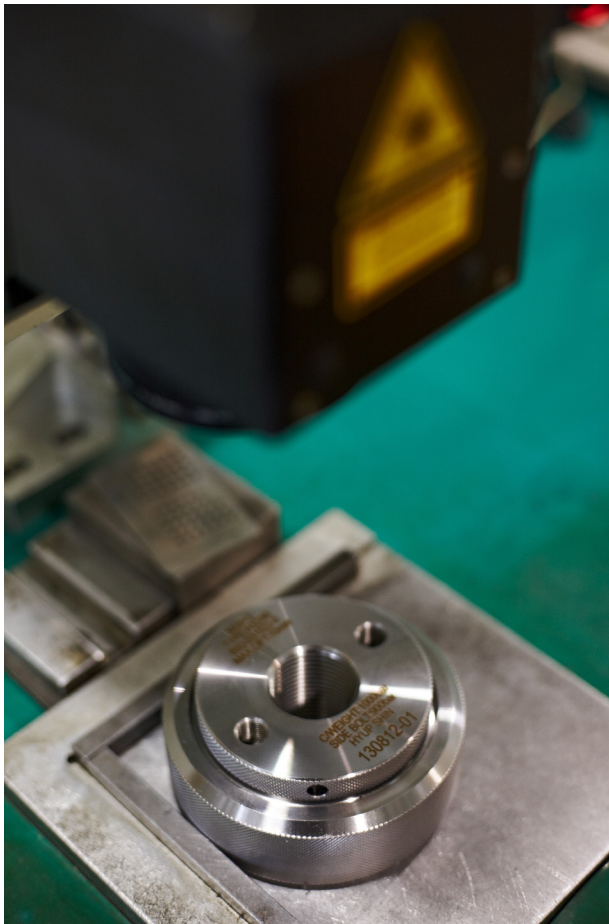


Hydraulic Jack Up Unit

Ultra High Working Pressure Design: Up to 1300 bar



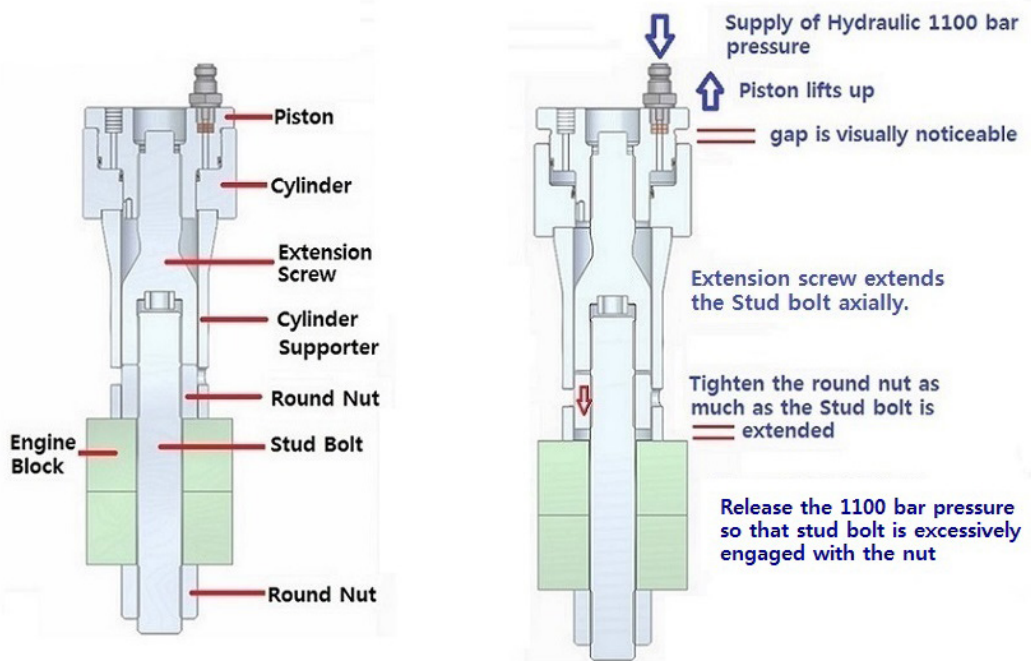
HSME is the leading supplier of Hydraulic Powered JACK UP UNITS. HSME provides the complete bolting solution for heavy industries including diesel engine fabrication where long stub bolts need to be tightened enough to hold up massive weight of engine sectional blocks or parts in place

HSME supplies wide range of Hydraulic Jack Up Units that handle bolts up to M90 metric thread.

Materials of Construction

All parts of Jack Up Unit are constructed out of high tensile material exceeding 150ksi

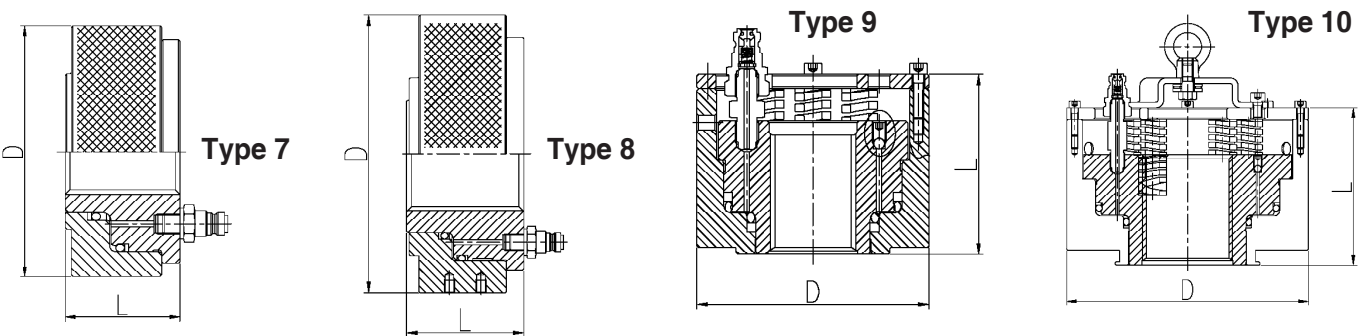
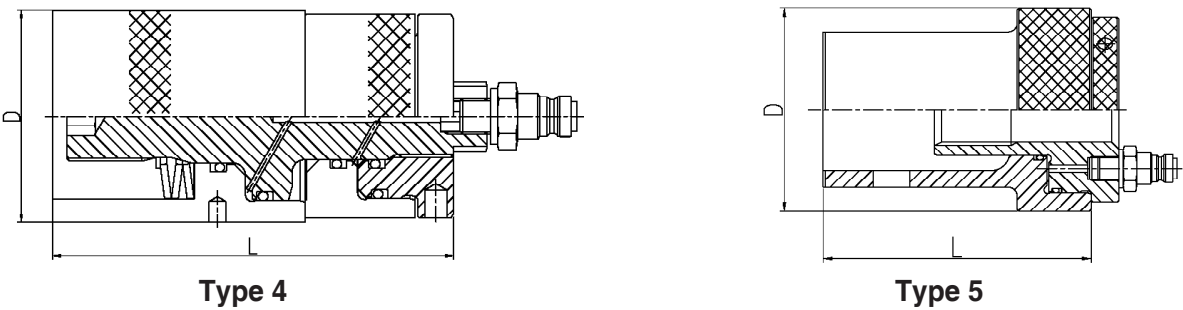
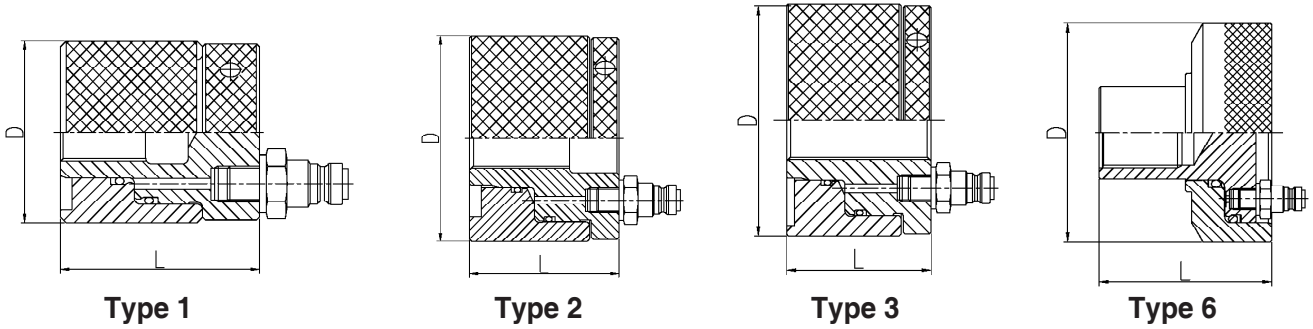
Operation



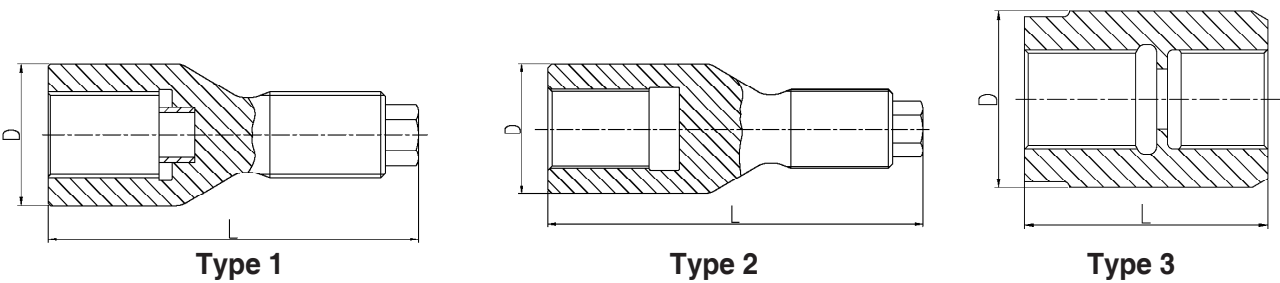
Picture Shown:
Numbers of stud bolts are jacked up and tightened using jack up units at heat exchanger fabrication site.

Hydraulic Jack-THS

■ Assembly



■ Extension~

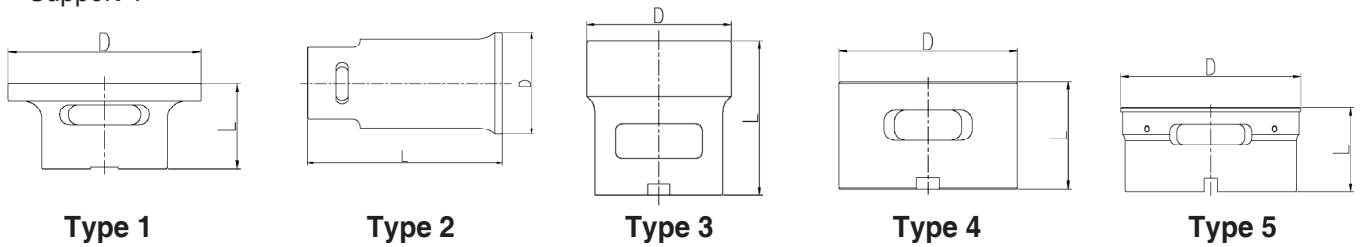


Hydraulic Jack-THS

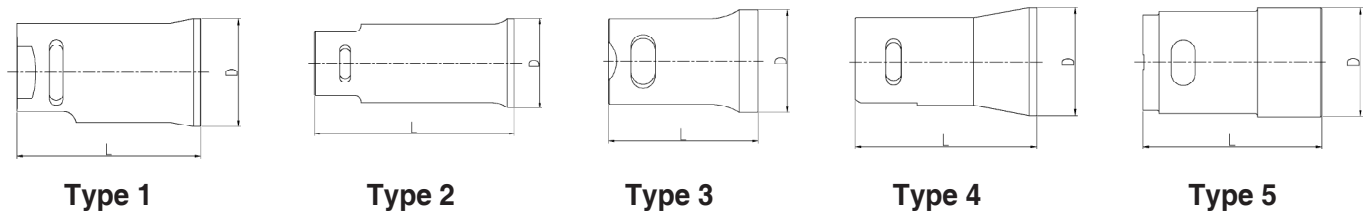
■ Reference Dimensions. (Hyd.Jack Parts)

Assembly Code	SIZE	Hydraulic Jack			MAT'L	Extension			MAT'L
		D	L	TYPE		D	L	TYPE	
THS-H1728-M24-10	M24*2	83	69	3	SNCM439	-	-	-	-
THS-H1728-M27-10	M27*2	83	69	3	SNCM439	-	-	-	-
THS-H1728-M30-10	M30*2	98	76	3	SNCM439	52	140	2	SNCM439
THS-H2132-M20-10	M20*1.5	64	76	1	SNCM439	32	114	1	SNCM439
THS-H2132-M30-10	M30*2	103	76	2	SNCM439	52	160	1	SNCM439
THS-H2132-M39-10	M39*2	113	72	3	SNCM439	64	185	2	SNCM439
THS-H2533-M22-11	M22*1.5	73	66	2	SNCM439	34	96	1	SNCM439
THS-H2533-M36-22	M36*2	107	71	3	SNCM439	-	-	-	-
THS-H2533-M39-22	M39*3	128	71	3	SNCM439	64	167	1	SNCM439
THS-H3240-M33-33	M33*2	77	146	4	SNCM439	59	81	3	SNCM439
THS-H3240-M36-12	M36*2	107	71	3	SNCM439	-	-	-	-
THS-H3240-M39-22	M39*3	128	71	3	SNCM439	64	167	1	SNCM439
THS-H3240-M48-22	M48*3	145	71	3	SNCM439	82	300	2	SNCM439
THS-L2330-M33-10	M33*2	111	61	7	SNCM439	-	-	-	-
THS-L2330-M39-10	M39*4	110	160	5	SCM440	-	-	-	-
THS-L2330-M45-10	M45*3	126	54	7	SCM440	-	-	-	-
THS-L2832-M39-23	M39*3	135	59	7	SCM440H	-	-	-	-
THS-H4660-M45-11	M45*3	140	110	6	SCM435	-	-	-	-
THS-H4660-M56-11	M56*5.5	165	75	7	SCM440	-	-	-	-
THS-H4660-M72-10	M72*6	210	77	6	SCM440	-	-	-	-
THS-H4660-M90-11	M90*6	260	91	8	SCM440	-	-	-	-
THS-L70ME-M80-10	M80*6	215	140	10	SCM440	-	-	-	-
THS-G50ME-M48-12	M48*5	130	101	9	SCM440	-	-	-	-

■ Support-1



■ Support-2



■ Reference Dimensions. (Support Parts)

Assembly Code	SIZE	Support-1			MAT'L	Support-2			MAT'L
		D	L	TYPE		D	L	TYPE	
THS-H1728-M24-10	M24*2	67	34	1	SNCM439	-	-	-	-
THS-H1728-M27-10	M27*2	67	43	1	SNCM439	-	-	-	-
THS-H1728-M30-10	M30*2	79	41	1	SNCM439	79	135	1	SNCM439
THS-H2132-M20-10	M20*1.5	-	-	-	-	54	100	2	SNCM439
THS-H2132-M30-10	M30*2	79	43	1	SNCM439	79	143	3	SNCM439
THS-H2132-M39-10	M39*2	104	51	1	SNCM439	104	175	4	SNCM439
THS-H2533-M22-11	M22*1.5	-	-	-	-	55	80	3	SNCM439
THS-H2533-M36-22	M36*2	85	51	4	SNCM439	85	140	2	SNCM439
THS-H2533-M39-22	M39*2	100	67	4	SNCM439	100	164	2	SNCM439
THS-H3240-M33-33	M33*2	74	87	4	SNCM439	-	-	-	-
THS-H3240-M36-12	M36*2	85	51	4	SNCM439	-	-	-	-
THS-H3240-M39-22	M39*3	101	55	4	SNCM439	-	-	-	-
THS-H3240-M48-22	M48*3	125	68	1	SNCM439	125	285	2	SNCM439
THS-L2330-M33-10	M33*2	105	47	1	SNCM439				
THS-L2330-M39-10	M39*4	-	-	-	-	-	-	-	-
THS-L2330-M45-10	M45*3	105	112	3	SNCM439	-	-	-	-
THS-L2832-M39-23	M39*3	125	53	2	SCM440H	-	-	-	-
THS-H4660-M45-11	M45*3	105	112	4	SNCM439	-	-	-	-
THS-H4660-M56-11	M56*5.5	165	63	4	SCM440	-	-	-	-
THS-H4660-M72-10	M72*6	190	79	4	SNCM439	-	-	-	-
THS-H4660-M90-11	M90*6	220	103	5	SCM440	-	-	-	-
THS-L70ME-M80-10	M80*6	205	105	4	SCM440	-	-	-	-
THS-G50ME-M48-12	M48*5	125	75	4	SCM440	-	-	-	-

Hydraulic Jack - THS Series

■ Technical Datas.

Assembly Code	SIZE	TYPE (Engine)	TEST PRESSURE (bar)	MAX.LIFT (mm)	Applications	REMARK
THS-H1728-M24-10	M24*2	H17/28 H17/28E(U)	1300	10	H17/28 ■ M.B.C SIDE STUD : 900bar ■ CON-ROD BIG-END STUD:900bar H17/28E(U) ■ CYL.HEAD STUD:900bar	
THS-H1728-M27-10	M27*2	H17/28 H17/28E(U)	1300	10	H17/28 ■ FLYWHEEL STUD : 1100bar H17/28E(U) ■ M.B.C STUD:1100bar	
THS-H1728-M30-10	M30*2	H17/28	1300	10	■ CYL.HEAD STUD:1150bar ■ M.B.C STUD:1150bar	
THS-H2132-M20-10	M20*1.5	H21/32	1300	10	■ CON-ROD SHAFT STUD:1150bar	
THS-H2132-M30-10	M30*2	H21/32	1500	10	■ CON-ROD STUD:950bar ■ M.B.C Side Bolt:850bar ■ FLYWHEEL STUD : 1050bar ■ C/Weight STUD : 850bar	
THS-H2132-M39-10	M39*2	H21/32	1500	10	■ CYL.HEAD STUD:1100bar ■ M.B.C STUD:1200bar	
THS-H2533-M22-11	M22*1.5	H25/33	1500	10	■ CON-ROD SHAFT :1100bar	
THS-H2533-M36-22	M36*2	H25/33, H32/40	1500	10	H25/33 ■ M.B.C SIDE:950bar ■ CON-ROD BIG-END:1100bar ■ FLYWHEEL STUD : 1000bar ■ C/Weight STUD : 850bar H32/40 ■ ENGINE BLOCK COUPLING STUD:1200bar	
THS-H2533-M39-22	M39*2	H25/33, H32/40	1500	10	H25/33 ■ M.B.C STUD:1200bar ■ CYL.HEAD STUD:900bar H32/40 ■ M.B.C SIDE BOLT:900bar ■ C/Weight STUD : 1000bar	
THS-H3240-M33-33	M33*2	H32/40	1200	3.5	■ BIG END(M33):1100bar ■ SHAFT:1100bar	
THS-H3240-M36-12	M36*2	H25/33, H32/40	1500	10	H25/33 ■ M.B.C SIDE:950bar ■ CON-ROD BIG-END:1100bar ■ FLYWHEEL STUD : 1000bar ■ C/Weight STUD : 850bar H32/40 ■ ENGINE BLOCK COUPLING STUD:1200bar	
THS-H3240-M39-22	M39*3	H25/33, H32/40	1500	10	H25/33 ■ M.B.C STUD:1200bar ■ CYL.HEAD STUD:900bar H32/40 ■ M.B.C SIDE BOLT:900bar ■ C/Weight STUD : 1000bar	
THS-H3240-M48-22	M48*3	H3240	1500	10	■ M.B.C STUD:1200bar ■ CYL.HEAD STUD:1150bar	
THS-L2330-M33-10	M33*2	L23/30, L23/30DH	1050	10	■ L23/30 :700bar ■ L23/30DH:700bar	
THS-L2330-M39-10	M39*4	L23/30, L23/30DH	1050	10	■ L23/30 :700bar ■ L23/30DH:750bar	
THS-L2330-M45-10	M45*3	L23/30	1050	6	■ WORKING PRESSURE :700bar	
THS-L2832-M39-23	M39*3	L28/32	1050	6	■ WORKING PRESSURE :700bar	
THS-H4660-M45-11	M45*3	H46/60	1500	10	■ WORKING PRESSURE :1100bar	
THS-H4660-M56-11	M56*5.5	H46/60	1700	10	■ WORKING PRESSURE :1500bar	
THS-H4660-M72-10	M72*6	H46/60	1700	10	■ WORKING PRESSURE :1500bar	
THS-H4660-M90-11	M90*6	H46/60	2000	15	■ WORKING PRESSURE :1250/1700bar	
THS-L70ME-M80-10	M80*6	L70ME	2000	15	■ WORKING PRESSURE :1500bar End chock bolts	
THS-G50ME-M48-12	M48*5	G50ME	2000	10	■ WORKING PRESSURE :1500bar Exhaust Valve, Turning Wheel	