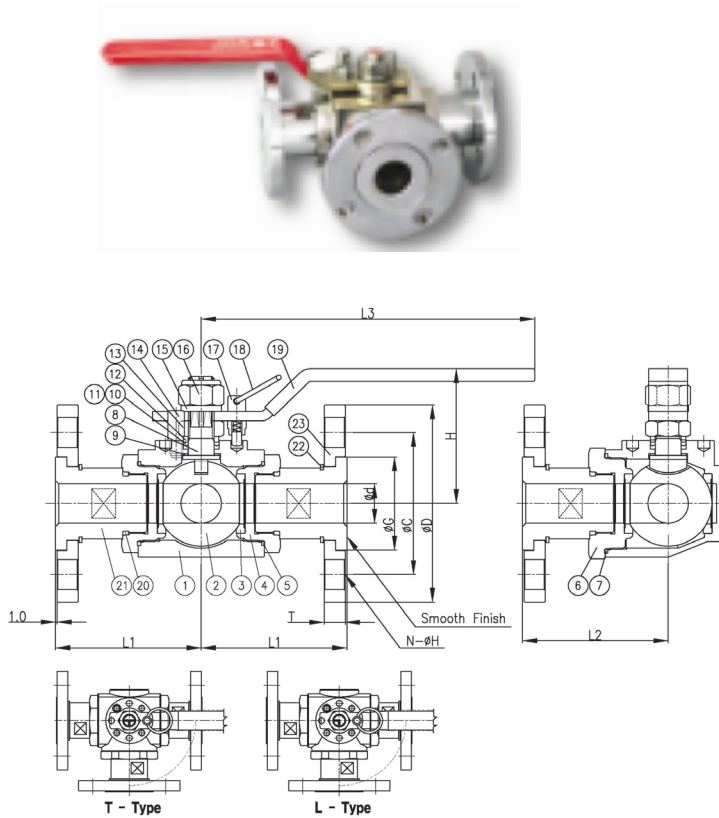


Swivel Flanged 3-Way Ball Valve -

VBT- 5K Series Flanged 3-Way side Entry Ball Valve(JIS 5K)



No.	Part Name	Material Spec.		
		S20C	F304	C3771
1	Body	S20C	F304	C3771
2	Ball	SUS 304	SUS 304	SUS 304
3	Seat Ring	PTFE + Glass 15%		
4	3-Way Side Cap	S45C	SUS 304	C3604
5	Packing	PTFE	PTFE	PTFE
6	3-Way Fwd Cap	S45C	SUS 304	C3604
7	Packing	PTFE	PTFE	PTFE
8	Stem	SUS 304	SUS 304	SUS 304
9	Thrust Packing	POM	POM	POM
10	Lower Packing	PTFE	PTFE	PTFE
11	Upper Packing	PTFE	PTFE	PTFE
12	Gland Ring	SUS 304	SUS 304	SUS 304
13	Hex. Nut	SUS 304	SUS 304	SUS 304
14	Stopper Plug	SUS 304	SUS 304	SUS 304
15	Spring Washer	SUS 304	SUS 304	SUS 304
16	Nylon Nut	SUS 304	SUS 304	SUS 304
17	Locking Device	SUS 304	SUS 304	SUS 304
18	Handle Ring	SUS 304	SUS 304	SUS 304
19	Lever Handle	SS 400	SS 400	SS 400
20	O-Ring	VITON	VITON	VITON
21	3-Way Connector	S45C	SUS 304	C3604
22	Wire Ring	SUS 304	SUS 304	SUS 304
23	Flange	SS 400	SUS 304	C3604

■ REFERENCE DIMENSIONS

Unit :mm

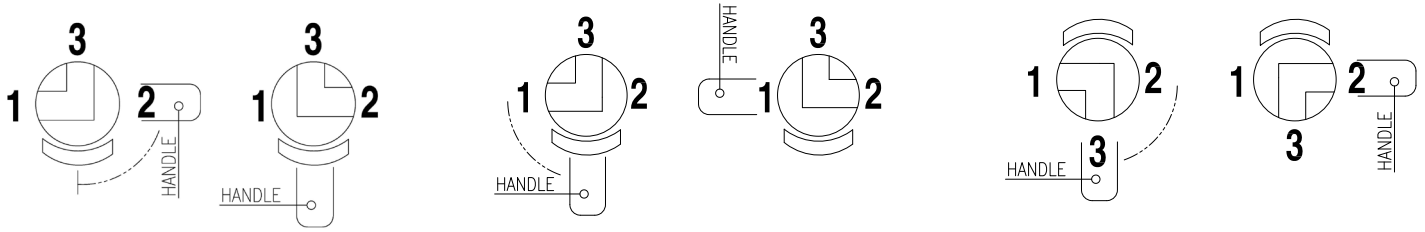
Nominal Size	ød	H	L1	L2	L3	FLANGE				
						øD	øC	øG	T	N-øH
VBT20-5K25A238-C	20.0	85.0	80.0	80.0	190.0	95.0	75.0	50.0	10.0	4-ø12
VBT32-5K32A238-C	32.0	95.0	90.0	90.0	205.0	115.0	90.0	70.0	12.0	4-ø15
VBT32-5K40A238-C	32.0	95.0	90.0	90.0	205.0	120.0	95.0	74.5	12.0	4-ø15

■ Specification

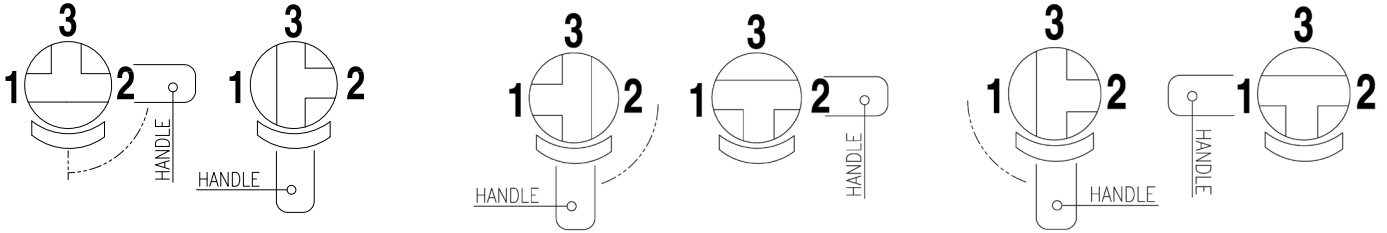
- Max. Pressure Pressure : 10 bar @ 200°C
- Test Pressure Body : 15bar
- Seat Leakage : 11bar
- Maximum Working Temperature : -30°C to Max. +200°C
- Applicable system : Fuel Oil, Lub Oil, Fresh Water, Steam

Swivel Flanged 3-Way Ball Valve -

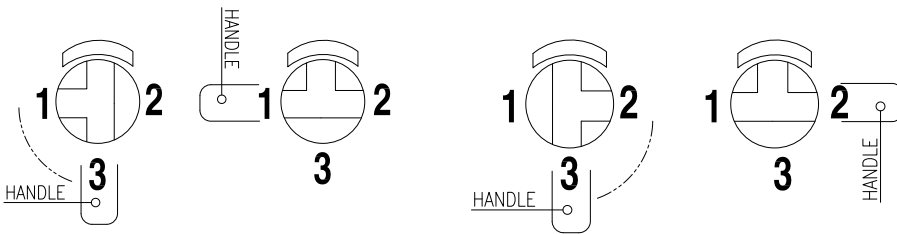
Special Flow Paths



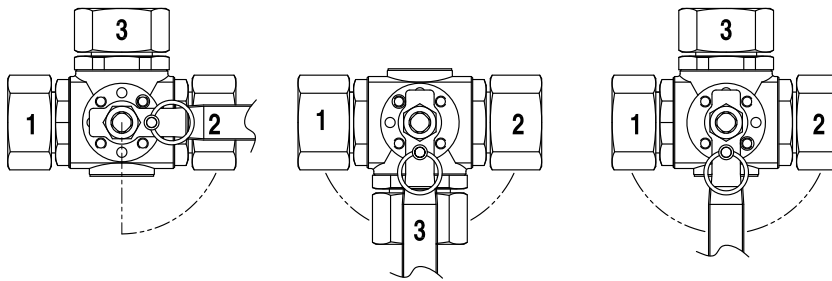
Standard Path(L)



Standard Path(L)



Ass'y dwg.



Directional

Digit	Direction	Shape	Grant Number
1	BODY		7
			8
2	BALL		9
			4
			5
3	HANDLE		1
			2
			3
			6

Ordering Information

Example :

VBT 20 - 5K25A 238 -C

① ② ③ ④ ⑤

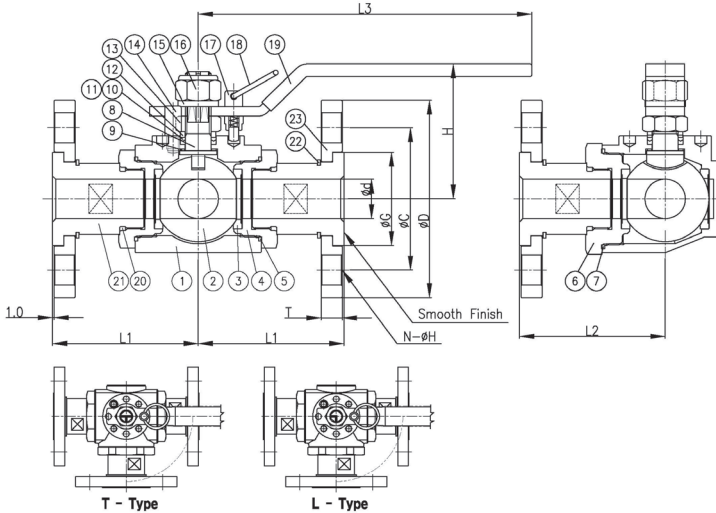
- ① : Valve Series ,
- ③ : The Pressure of the flange.
- ④ : The direction of the flow valve
2 -> Direction of the Body
3 -> Direction of the Ball
8 -> Direction of the Handle
- ⑤ : Material

- ② : 20mm Orifice
JIS 5K-25A

C : Carbon Steel B : Brass S4 : Stainless Steel 304

Swivel Flanged 3-Way Ball Valve -

VBT- 10K Series
Flanged 3-Way Side Entry ball Valve(JIS 10K)



No.	Part Name	Material Spec.		
		S20C	F304	C3771
1	Body	S20C	F304	C3771
2	Ball	SUS 304	SUS 304	SUS 304
3	Seat Ring	PTFE + Glass 15%		
4	3-Way Side Cap	S45C	SUS 304	C3604
5	Packing	PTFE	PTFE	PTFE
6	3-Way Fwd Cap	S45C	SUS 304	C3604
7	Packing	PTFE	PTFE	PTFE
8	Stem	SUS 304	SUS 304	SUS 304
9	Thrust Packing	POM	POM	POM
10	Lower Packing	PTFE	PTFE	PTFE
11	Upper Packing	PTFE	PTFE	PTFE
12	Gland Ring	SUS 304	SUS 304	SUS 304
13	Hex. Nut	SUS 304	SUS 304	SUS 304
14	Stopper Plug	SUS 304	SUS 304	SUS 304
15	Spring Washer	SUS 304	SUS 304	SUS 304
16	Nylon Nut	SUS 304	SUS 304	SUS 304
17	Locking Device	SUS 304	SUS 304	SUS 304
18	Handle Ring	SUS 304	SUS 304	SUS 304
19	Lever Handle	SS 400	SS 400	SS 400
20	O-Ring	VITON	VITON	VITON
21	3-Way Connector	S45C	SUS 304	C3604
22	Wire Ring	SUS 304	SUS 304	SUS 304
23	Flange	SS 400	SUS 304	C3604

REFERENCE DIMENSIONS

Unit :mm

Nominal Size	ød	H	L1	L2	L3	FLANGE				
						øD	øC	øG	T	N-øH
VBT25-10K25A238-C	25.0	86.0	90.0	90.0	205.0	125.0	90.0	60.0	13.0	4-ø19
VBT32-10K32A238-C	32.0	95.0	90.0	90.0	205.0	135.0	100.0	75.0	14.0	4-ø19
VBT32-10K40A238-C	32.0	95.0	90.0	90.0	205.0	140.0	105.0	75.0	14.0	4-ø19

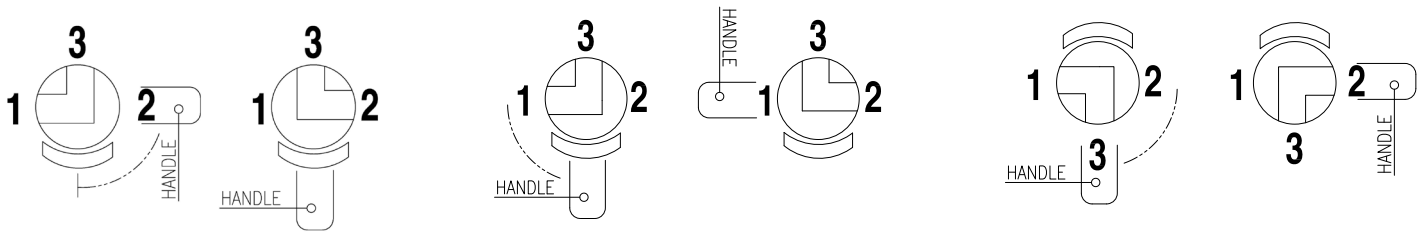
Specification

- Max. Pressure Pressure : 15 bar @ 200°C
- Test Pressure Body : 22.5 bar
- Seat Leakage : 16.5 bar
- Maximum Working Temperature : -30°C to Max. +200°C
- Applicable system : Fuel Oil, Lub Oil, Fresh Water, Steam

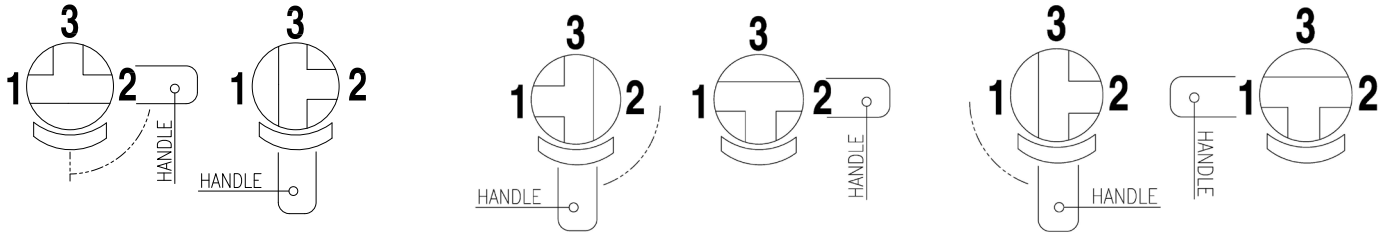
Special Flow Paths

Swivel Flanged 3-Way Ball Valve -

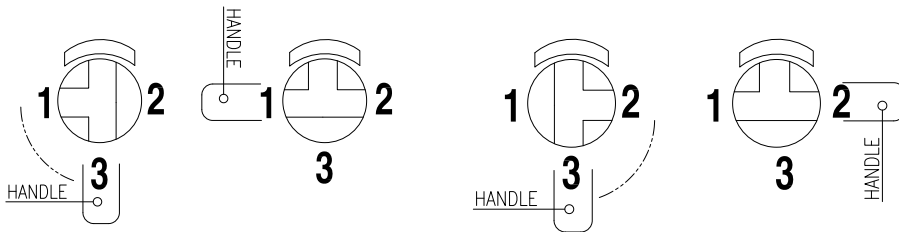
Special Flow Paths



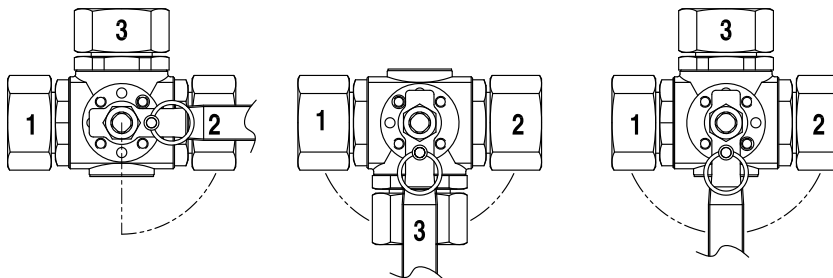
Standard Path(L)



Standard Path(L)



Ass'y dwg.



Directional

Digit	Direction	Shape	Grant Number
1	BODY		7
			8
2	BALL		4
			5
3	HANDLE		1
			2
			7
			8
			4
			6

Ordering Information

Example :

VBT 20 - 5K25A 238 -C

① ② ③ ④ ⑤

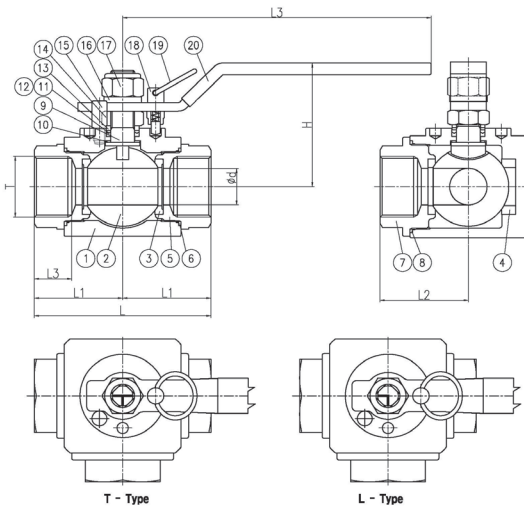
- ① : Valve Series ,
- ③ : The Pressure of the flange.
- ④ : The direction of the flow valve
- 2 -> Direction of the Body
- 3 -> Direction of the Ball
- 8 -> Direction of the Handle

② : 20mm Orifice
JIS 5K-25A

- ⑤ : Material
- C : Carbon Steel B : Brass S4 : Stainless Steel 304

Swivel Flanged 3-Way Ball Valve -

VBT- B" Series
PiPe Threaded 3-Way Side Entry Ball Valve
Bar Stock Body



No.	Part Name	Material Spec.		
		S20C	SUS 304	C3771
1	Body	S20C	SUS 304	C3771
2	Ball	SUS 304	SUS 304	SUS 304
3	Seat Ring	PTFE + Glass 15%		
4	3-Way Back Seat	PTFE + Glass 15%		
5	3-Way Side Cap	S45C	SUS 304	C3604
6	Packing	PTFE	PTFE	PTFE
7	3-Way Fwd Cap	S45C	SUS 304	C3604
8	Packing	PTFE	PTFE	PTFE
9	Stem	SUS 304	SUS 304	SUS 304
10	Thrust Packing	POM	POM	POM
11	Lower Packing	PTFE	PTFE	PTFE
12	Upper Packing	PTFE	PTFE	PTFE
13	Gland Ring	SUS 304	SUS 304	SUS 304
14	Hex. Nut	SUS 304	SUS 304	SUS 304
15	Stopper Plug	SUS 304	SUS 304	SUS 304
16	Spring Washer	SUS 304	SUS 304	SUS 304
17	Nylon Nut	SUS 304	SUS 304	SUS 304
18	Locking Device	SUS 304	SUS 304	SUS 304
19	Handle Ring	SUS 304	SUS 304	SUS 304
20	Lever Handle	SS 400	SS 400	SS 400

■ REFERENCE DIMENSIONS

Unit :mm

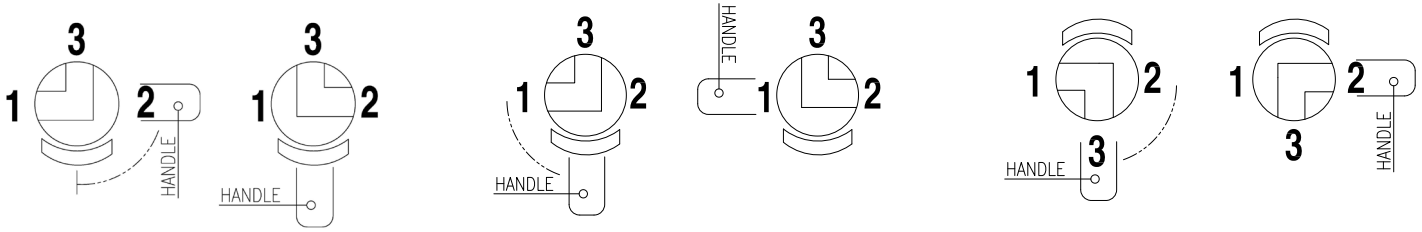
Nominal Size	cd	L	L1	L2	L3	L4	H	T (PF)	BODY (MATERIAL)		
									S20C	SUS 304	C3771
VBT15B-04G238-C	15.0	90.0	45.0	45.0	150.0	17.0	63.0	1/2"	S20C	SUS 304	C3771
VBT15B-06G238-C	15.0	92.0	46.0	46.0	190.0	19.0	63.0	3/4"	S20C	SUS 304	C3771
VBT20B-08G238-C	20.0	108.0	54.0	54.0	190.0	22.0	85.0	1"	S20C	SUS 304	C3771
VBT25B-10G238-C	25.0	118.0	59.0	59.0	205.0	25.0	85.0	1-1/4"	S20C	SUS 304	C3771
VBT32B-12G238-C	32.0	140.0	70.0	70.0	205.0	27.0	95.0	1-1/2"	S20C	SUS 304	C3771

■ Specification

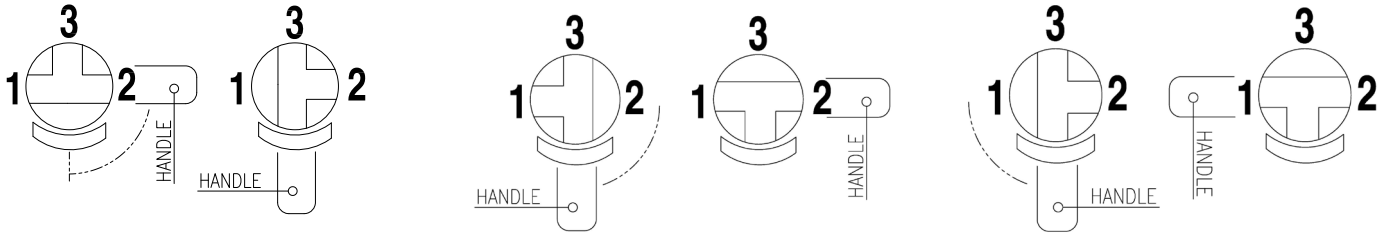
- Max. Pressure Pressure : 30 bar @ 200°C
- Test Pressure Body : 45 bar
- Seat Leakage : 33 bar
- Maximum Working Temperature : -30°C to Max. +200°C
- Applicable system : Fuel Oil, Lub Oil, Fresh Water, Steam
- Applicable : Bar Stock Type

Swivel Flanged 3-Way Ball Valve -

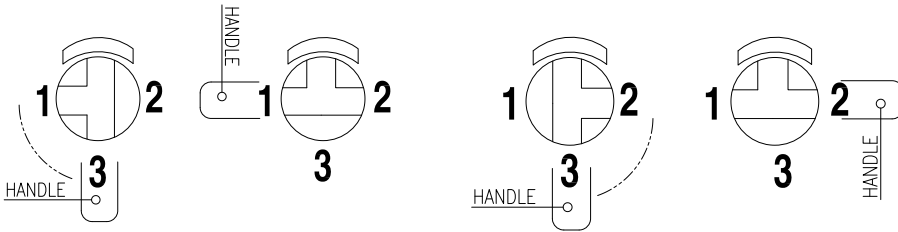
Special Flow Paths



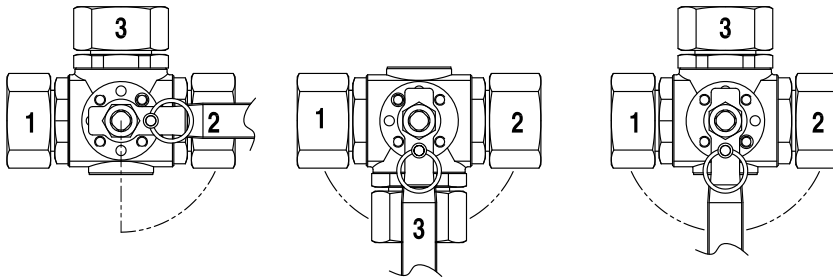
Standard Path(L)



Standard Path(L)



Ass'y dwg.



Directional

Digit	Direction	Shape	Grant Number
1	BODY		7
			8
2	BALL		4
			5
3	HANDLE		1
			2
			3
			6

Ordering Information

Example :

VBT 20 B - 10G 238 -C

① ② ③ ④ ⑤ ⑥

① : Valve Series , ② : 20mm Orifice ③ B : Bar Stock Type

④ : Thread Size. 10G -> PF 1-1/4", 12G -> PF1-1/2"

⑤ : The direction of the flow valve

2 -> Direction of the Body

3 -> Direction of the Ball

8 -> Direction of the Handle

⑥ : Material

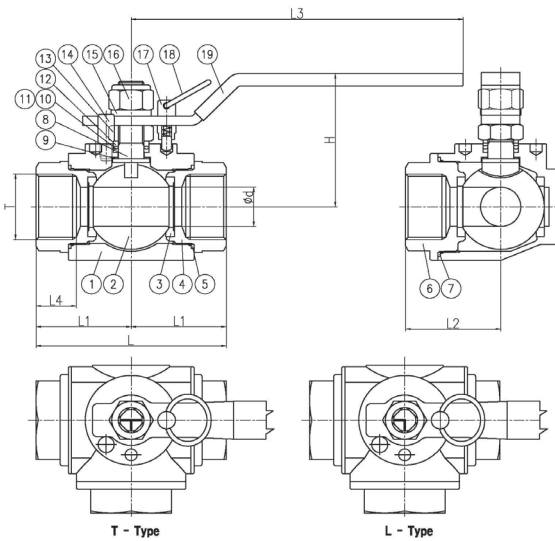
C : Carbon Steel B : Brass S4 : Stainless Steel 304

Swivel Flanged 3-Way Ball Valve -

VBT

Pipe Threaded 3-Way Side Entry Ball Valve

Forged Body



No.	Part Name	Material Spec.		
		S20C	SUS 304	C3771
1	Body	S20C	SUS 304	C3771
2	Ball	SUS 304	SUS 304	SUS 304
3	Seat Ring	PTFE + Glass 15%		
4	3-Way Side Cap	S45C	SUS 304	C3604
5	Packing	PTFE	PTFE	PTFE
6	3-Way Fwd Cap	S45C	SUS 304	C3604
7	Packing	PTFE	PTFE	PTFE
8	Stem	SUS 304	SUS 304	SUS 304
9	Thrust Packing	POM	POM	POM
10	Lower Packing	PTFE	PTFE	PTFE
11	Upper Packing	PTFE	PTFE	PTFE
12	Gland Ring	SUS 304	SUS 304	SUS 304
13	Hex. Nut	SUS 304	SUS 304	SUS 304
14	Stopper Plug	SUS 304	SUS 304	SUS 304
15	Spring Washer	SUS 304	SUS 304	SUS 304
16	Nylon Nut	SUS 304	SUS 304	SUS 304
17	Locking Device	SUS 304	SUS 304	SUS 304
18	Handle Ring	SUS 304	SUS 304	SUS 304
19	Lever Handle	SS 400	SS 400	SS 400

■ REFERENCE DIMENSIONS

Unit :mm

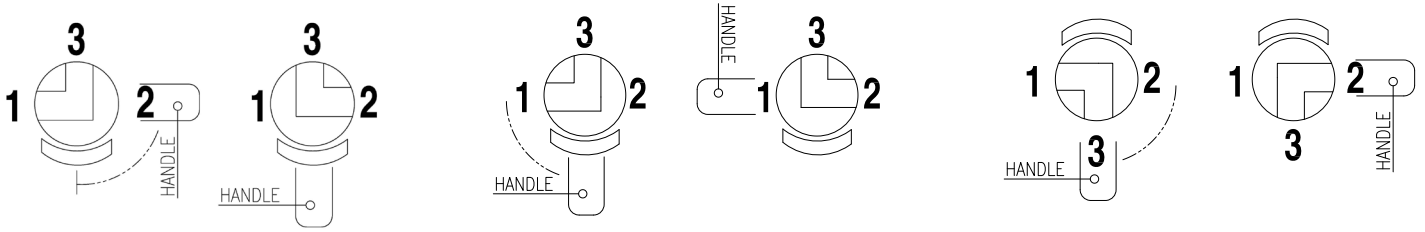
Nominal Size	ϕd	L	L1	L2	L3	L4	H	T (PF)	BODY (MATERIAL)		
									S20C	SUS 304	C3771
VBT25-10G238-C	25.0	118.0	59.0	59.0	205.0	25.0	85.0	1-1/4"	S20C	SUS 304	C3771
VBT32-12G238-C	32.0	140.0	70.0	70.0	205.0	27.0	95.0	1-1/2"	S20C	SUS 304	C3771

■ Specification

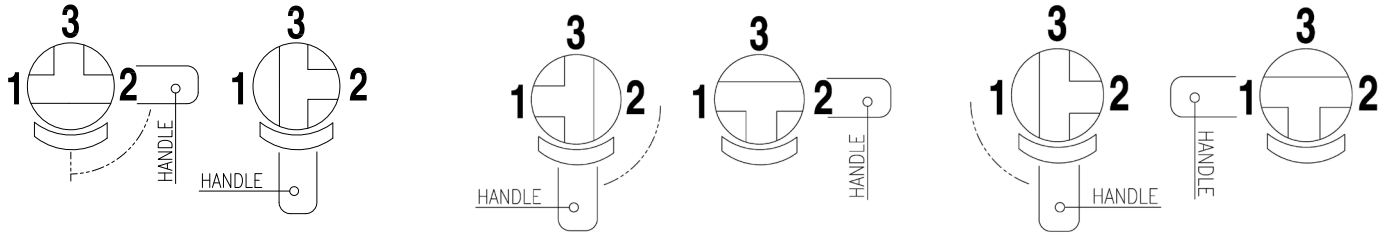
- Max. Pressure Pressure : 16 bar @ 200°C
- Test Pressure Body : 25 bar
- Seat Leakage : 19 bar
- Maximum Working Temperature : -30°C to Max. +200°C
- Applicable system : Fuel Oil, Lub Oil, Fresh Water, Steam
- Applicable : Forged Type

Swivel Flanged 3-Way Ball Valve -

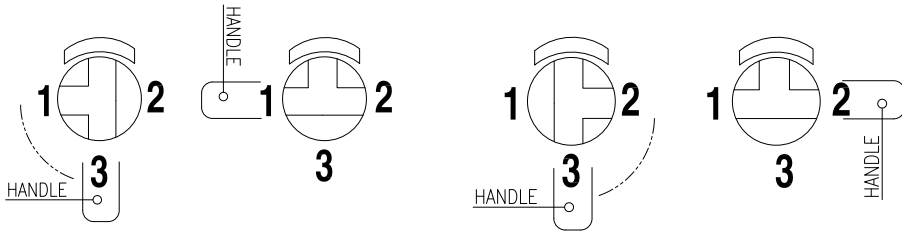
Special Flow Paths



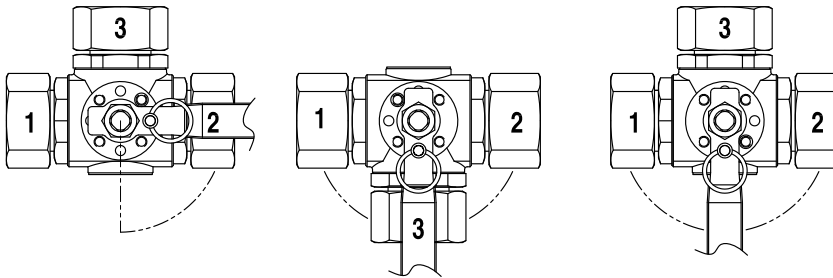
Standard Path(L)



Standard Path(L)



Ass'y dwg.



Directional

Digit	Direction	Shape	Grant Number
1	BODY		7
			8
2	BALL		9
			4
3	HANDLE		5
			6

Ordering Information

Example :

VBT 20 - 10G 238 -C

① ② ③ ④ ⑤

- ① : Valve Series , ② : 20mm Orifice
- ③ : Thread Size. 10G -> PF 1-1/4", 12G -> PF1-1/2"
- ④ : The direction of the flow valve
- 2 -> Direction of the Body
- 3 -> Direction of the Ball
- 8 -> Direction of the Handle
- ⑤ : Material
- C : Carbon Steel B : Brass S4 : Stainless Steel 304